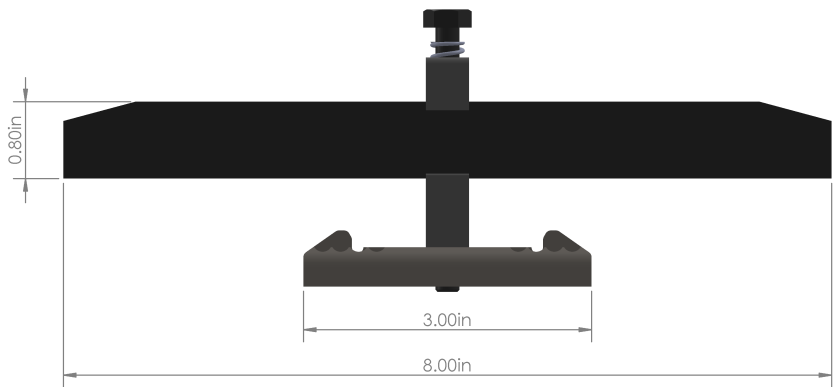
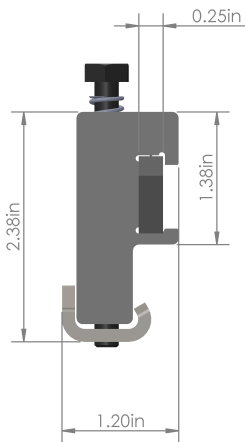


The Spice Solar E-W Splice quickly connects modules side-by-side in portrait, landscape or mixed orientations. The E-W Splice automatically aligns modules and audibly snaps into place, and is then tightened from the top with standard tools.

1. Set screw allows splice bar to be disengaged to remove a module in the middle of a row
2. 7/16" hex head bolt tightens E-W Splices from the top
3. Spring allows E-W Splice to snap into place between adjacent modules
4. Spacer block precisely aligns modules
5. Splice bar provides rigidity between modules
6. Bottom clamp grounds adjacent modules



Product Specifications

| | |
|------------------|--------------------------------|
| Materials | aluminum, stainless Steel |
| Finish | black, silver |
| Weight | 7 lbs per 10 pack |
| Warranty | 3 year surface, 10 year defect |