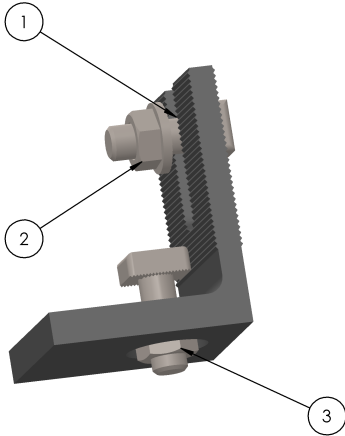




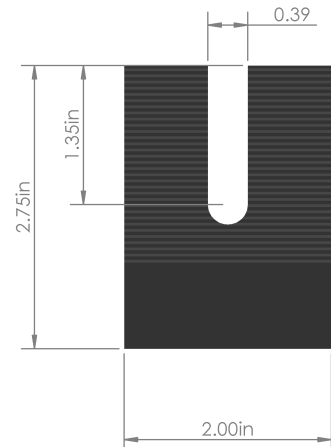
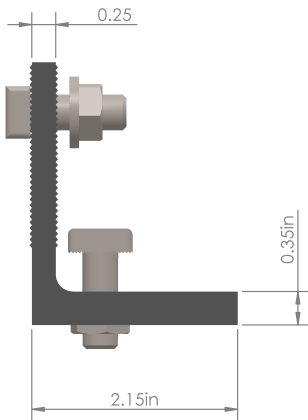
# Microinverter-Optimizer Bracket

**2MENPH1-B-1**



The Spice Solar universal Microinverter-Optimizer Bracket connects securely to the side of each Spice Certified module. Bracket is designed to fit all popular microinverters and optimizers. Bracket includes two T-bolts and flange nuts.

1. Microinverter-optimizer mounts to ribbed side of bracket; slot provides adjustability
2. T-bolt and flange nut bonds from bracket to microinverter-optimizer housing
3. T-bolt and flange nut bonds from module to bracket, and offset provides clearance for portrait or landscape mounting



## Product Specifications

<b>Materials</b>	aluminum bracket, stainless steel T bolt and flange nut
<b>Finish</b>	black, silver
<b>Weight</b>	4 lbs per 10 pack
<b>Warranty</b>	3 year surface, 10 year defect



205-578-8000 | [spicesolar.com](http://spicesolar.com)  
1550 Dell Avenue, Suite L, Campbell, CA 95008

Specifications included in this document are subject to change without notice.

2014 Spice Solar Inc. All rights reserved. U.S. and international patents pending. SPCSLR/2MENPH1-B-1/Oct 2014